

DESCRIPTION

AMC MODEL SW-2184-1AT-231 OPTION: A18, 811 IS AN ABSORPTIVE/NON-REFLECTIVE SINGLE POLE SINGLE THROW SWITCH DESIGNED TO OPERATE BETWEEN THE 8 TO 11 GHz FREQUENCY RANGE WITH INTEGRAL TTL DRIVER DESIGNED FOR HIGH ISOLATION, HIGH SPEED, AND LOW VIDEO TRANSIENT APPLICATIONS.

SPECIFICATIONS

- FREQUENCY RANGE: 8 TO 11 GHz
- INSERTION LOSS: 3.5 dB MAXIMUM
- ISOLATION: 80 dB MINIMUM
- VSWR: 2.0:1 MAXIMUM
- RISE TIME: 10 nSec MAXIMUM
- FALL TIME: 10 nSec MAXIMUM
- DELAY ON: 30 nSec MAXIMUM
- DELAY OFF: 30 nSec MAXIMUM
- POWER INPUT: +27 dBm CW MAXIMUM
- IN-BAND VIDEO POWER/TRANSIENTS: -60 dBm MAXIMUM, OR
10 mV (P-P) IN 100 MHz BW
- CONTROL: TTL COMPATIBLE, UNITY LOAD
LOGIC "0" = INSERTION LOSS
LOGIC "1" = ISOLATION
- POWER SUPPLY: +5V ±5% @ 70 mA MAXIMUM
-5V ±5% @ 70 mA MAXIMUM
- CONNECTORS:
RF INPUT/OUTPUT: SMA FEMALE
POWER/CONTROL: SOLDER PIN (EMI)
- SIZE: 1.00" (L) x 1.00" (W) x 0.53" (H)
- WEIGHT: 1.5 OUNCE TYPICAL

OPTIONS:

- A18: SOLDER TYPE CONTROL TERMINAL
- 811: 8 TO 11 GHz FREQUENCY RANGE

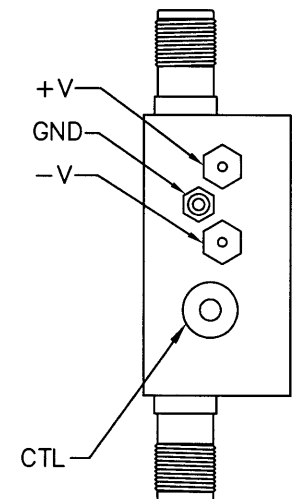
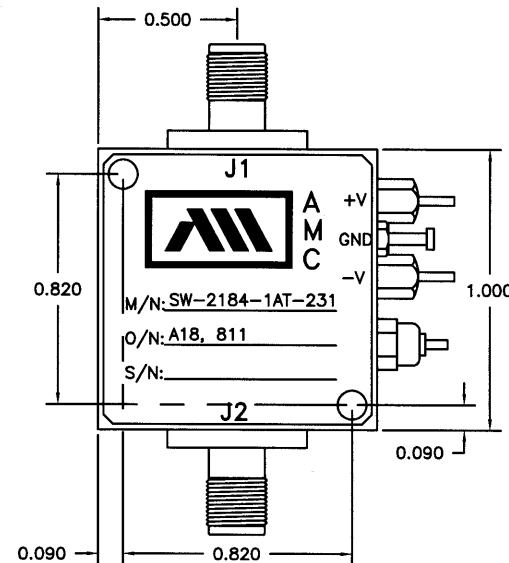
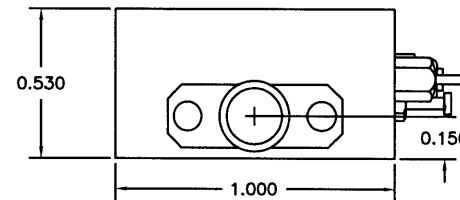
ENVIRONMENTAL RATINGS:

- TEMPERATURE: -55°C TO +95°C (OPERATING)
-65°C TO +125°C (STORAGE)
- HUMIDITY: MIL-STD-202F, METHOD 103B COND. B
- SHOCK: MIL-STD-202F, METHOD 213B COND. B
- VIBRATION: MIL-STD-202F, METHOD 204D COND. B
- ALTITUDE: MIL-STD-202F, METHOD 105C COND. B
- TEMPERATURE CYCLE: MIL-STD-202F, METHOD 107D COND. A

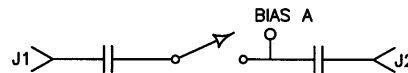
NOTE: SPECIFICATIONS WILL VARY OVER OPERATING TEMPERATURE
NOTE: THE ABOVE SPECIFICATIONS ARE SUBJECT TO CHANGE OR REVISION

ALL DIMENSIONS ARE IN INCHES
TOLERANCES:
X.XX ±0.020
X.XXX ±0.010

REVISIONS				
ZONE	REV.	DESCRIPTION	DATE	APPROVED
		- ORIGINAL RELEASE JOB# 503083-2	8/30/05	



BLOCK DIAGRAM



AMERICAN MICROWAVE CORPORATION

7311-G GROVE ROAD
FREDERICK, MARYLAND 21704 USA
TEL: 301-662-4700 FAX: 301-662-4938
WEBSITE: www.americanmicrowavecorp.com
E-MAIL: sales@americanmicrowavecorp.com
ISO 9001:2000 CERTIFIED

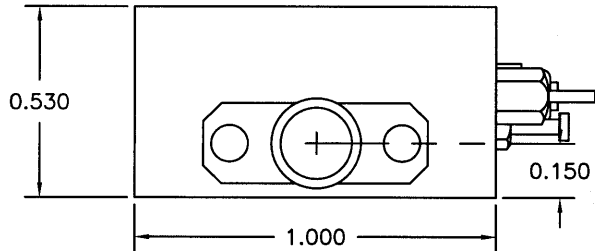


APPROVALS		DATE	TITLE			
DRAWN <i>JDJ</i>		8/30/05	PRODUCT FEATURE SW-2184-1AT-231 OPTION: A18, 811 8-11 GHz, SINGLE POLE SINGLE THROW SWITCH			
CHECKED			SIZE A	FSCM NO. 60483	DWG NO. 100-7392	REV. -
ISSUED			SCALE N:S	SHEET 1 OF 3		

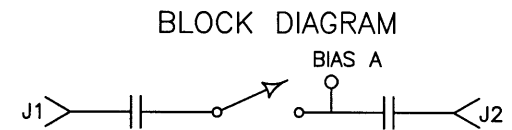
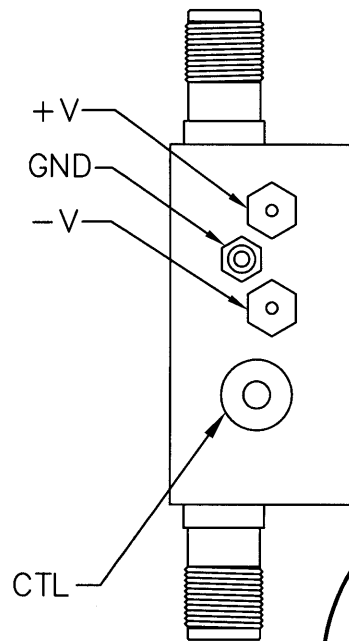
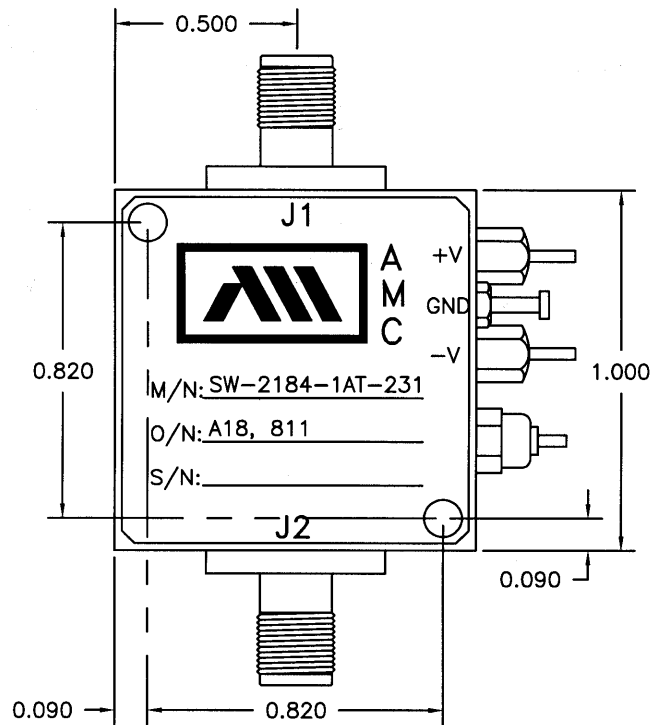
DESCRIPTION

AMC MODEL SW-2184-1AT-231 OPTION: A18, 811 IS AN ABSORPTIVE/NON-REFLECTIVE SINGLE POLE SINGLE THROW SWITCH DESIGNED TO OPERATE BETWEEN THE 8 TO 11 GHz FREQUENCY RANGE WITH INTEGRAL TTL DRIVER DESIGNED FOR HIGH ISOLATION, HIGH SPEED, AND LOW VIDEO TRANSIENT APPLICATIONS.

REVISIONS				
ZONE	REV.	DESCRIPTION	DATE	APPROVED
	-	ORIGINAL RELEASE JOB# 503083-2	9/30/05	



MECHANICAL OUTLINE



ALL DIMENSIONS ARE IN INCHES
 TOLERANCES:
 X.XX ±0.020
 X.XXX ±0.010

AMERICAN MICROWAVE CORPORATION

7311-G GROVE ROAD
 FREDERICK, MARYLAND 21704 USA
 TEL: 301-662-4700 FAX: 301-662-4938
 WEBSITE: www.americanmicrowavecorp.com
 E-MAIL: sales@americanmicrowavecorp.com
 ISO 9001:2000 CERTIFIED



APPROVALS		DATE	TITLE		
DRAWN <i>gfg</i>		9/30/05	MECHANICAL OUTLINE SW-2184-1AT-231 OPTION: A18, 811 8-11 GHz, SINGLE POLE SINGLE THROW SWITCH		
CHECKED			SIZE A	FSCM NO. 60483	DWG NO. 100-7392
ISSUED			SCALE N:S		SHEET 2 OF 3